

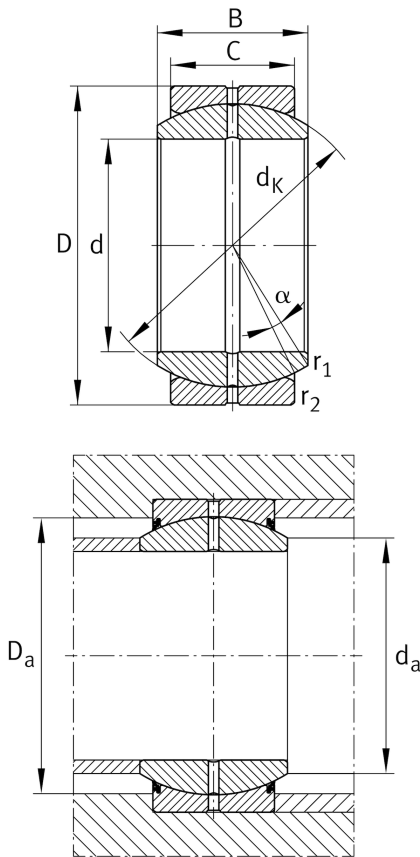
GE30-DO

Spherical plain bearing

Schaeffler ID:
0066480880000

Radial spherical plain bearing, requiring maintenance, sliding contact surface: steel/steel, DIN ISO 12240-1, dimension series E, open design High-performance: For highest load rating and lifetime demands

Technical information



Main Dimensions & Performance Data

d	30 mm	Bore diameter bearing
D	47 mm	Outside diameter bearing
B	22 mm	Width Inner ring
C _r	62.300 N	Basic dynamic load rating, radial
C _{0r}	311.000 N	Basic static load rating, radial
	0,145 kg	Weight

Mounting dimensions

d _{a max}	34,2 mm	Connection measure Inner ring
--------------------	---------	-------------------------------

Dimensions

C	18 mm	Width Outer ring
d _K	40,7 mm	Ball diameter
α	6 °	Tilt angle
r _{1smin}	0,6 mm	Edge Spacing
r _{2smin}	0,6 mm	Edge Spacing
d _{OT}	0 mm	Bore diameter bearing, upper tolerance
d _{UT}	-0,01 mm	Bore diameter bearing, lower tolerance
D _{OT}	0 mm	Outside diameter, upper tolerance
D _{UT}	-0,011 mm	Outside diameter, lower tolerance
B _{OT}	0 mm	Width inner ring, upper tolerance
G _r	0,05 - 0,1 mm	Radial Clearance
B _{UT}	-0,12 mm	Width inner ring, lower tolerance
C _{OT}	0 mm	Width outer ring, upper tolerance

Temperature range

T _{min}	-60 °C	Operating temperature min.
T _{max}	200 °C	Operating temperature max.