

## RAE35-XL-NPP-FA106

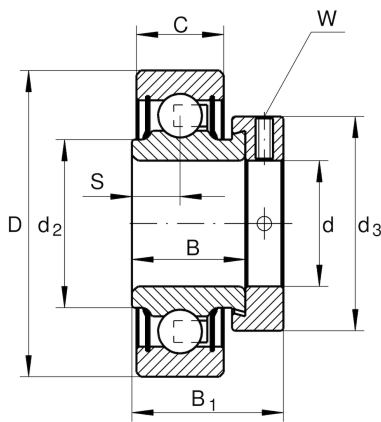
Radial insert ball bearing

Schaeffler ID:  
0008431720000

Radial insert ball bearing RAE...-XL-NPP

X-life

### Technical information



### Main Dimensions & Performance Data

d	35 mm	Bore diameter
D	72 mm	Outside diameter
B	25,4 mm	Width
B <sub>1</sub>	39 mm	Locking collar total width
C <sub>r</sub>	25.500 N	Basic dynamic load rating, radial
C <sub>0r</sub>	15.300 N	Basic static load rating, radial
C <sub>ur</sub>	650 N	Fatigue load limit, radial
	0,49 kg	Weight

### Dimensions

C	19 mm	Width, outer ring
S	9,5 mm	Distance raceway
d <sub>2</sub>	44,6 mm	Rib diameter sealing inner ring
d <sub>3</sub>	55 mm	Outside diameter locking collar/locknut
W	5 mm	Width of flats

### Calculation factors

f <sub>0</sub>	13,8	Calculation factor
----------------	------	--------------------