



## GE100-XL-KRR-B

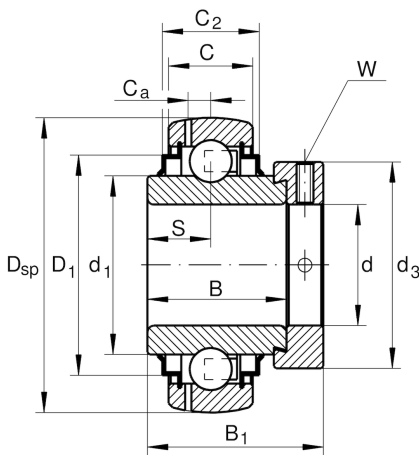
Radial insert ball bearing

Schaeffler ID:  
0008777430000

Radial insert ball bearing GE..-XL-KRR-B

X-life

### Technical information



### Main Dimensions & Performance Data

d	100 mm	Bore diameter
D <sub>SP</sub>	180 mm	Outside diameter
B	57,5 mm	Width
B <sub>1</sub>	75 mm	Locking collar total width
C <sub>r</sub>	130.000 N	Basic dynamic load rating, radial
C <sub>0r</sub>	93.000 N	Basic static load rating, radial
C <sub>ur</sub>	4.100 N	Fatigue load limit, radial
	5 kg	Weight

### Dimensions

C	36 mm	Width, outer ring
C <sub>2</sub>	39 mm	Sealing total width
S	25,5 mm	Distance raceway
d <sub>1</sub>	122,2 mm	Rib diameter inner ring
D <sub>1</sub>	155,5 mm	Outside diameter seal
C <sub>a</sub>	11,2 mm	Distance to lubrication hole
d <sub>3</sub>	132 mm	Outside diameter locking collar/locknut
W	6 mm	Width of flats

### Calculation factors

f <sub>0</sub>	14,4	Calculation factor
----------------	------	--------------------