



GLCTE40-XL

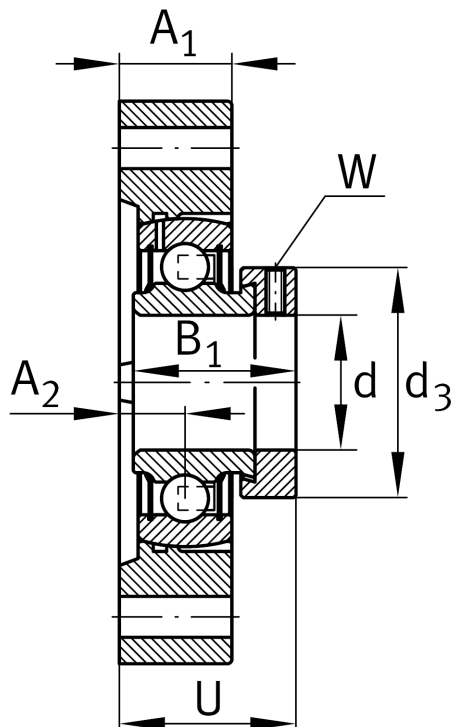
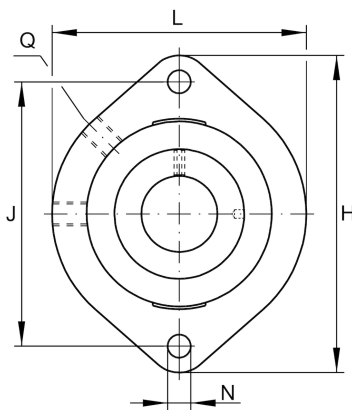
Flanged housing unit

Schaeffler ID:
0008938380000

Housing units GLCTE, two-bolt flanged housing units, cast iron, eccentric locking collar, P seals

X-life

Technical information



Main Dimensions & Performance Data

d	40 mm	Bore diameter
L	100 mm	Flange width
H	150 mm	Height flange
U	46,3 mm	Total height unit
C_r	34.500 N	Basic dynamic load rating, radial
C_{0r}	19.800 N	Basic static load rating, radial
C_{ur}	1.030 N	Fatigue load limit, radial
	1,27 kg	Weight

Mounting dimensions

J	119 mm	Distance fixing bore
N	14 mm	Fixing bore
n	2	Number of screwing holes

Dimensions

A_1	24 mm	Thickness of flange
A_2	13,5 mm	Distance raceway
B_1	43,8 mm	Locking collar total width
Q	M6	Connection thread lubrication
d_3	58 mm	Outside diameter eccentric locking collar

Additional information

GRAE40-XL-NPP-B	Bearing designation
-----------------	---------------------