



## Technical data

4T-JLM508748/JLM508710

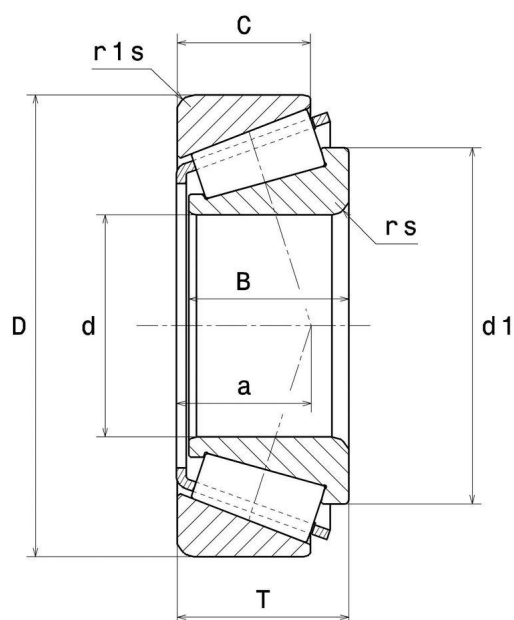
Single row tapered roller bearings

Tapered roller bearing, pressed steel cage

### KIT CONTENT

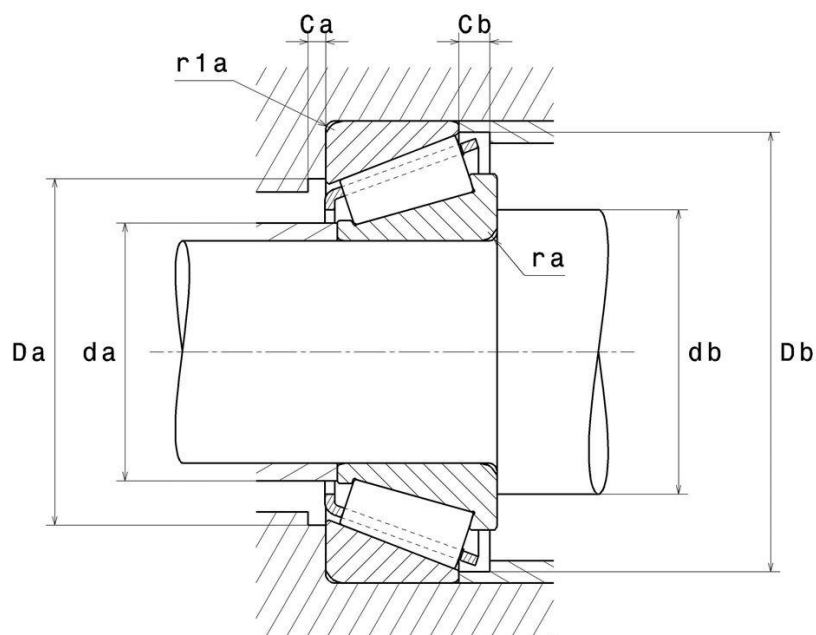
4T-JLM508710, 4T-JLM508748

### VISUAL (S)



# 4T-JLM508748/JLM508710

## Single row tapered roller bearings



### PRODUCT DEFINITION

<b>d - Internal diameter</b>	60 mm
<b>D - External diameter</b>	95 mm
<b>B - Bearing/Inner ring width</b>	24 mm
<b>C - Outer ring width</b>	19 mm
<b>T - Total width</b>	24 mm
<b>d1 - External diameter inner ring</b>	78 mm
<b>a - Charge load application point</b>	21 mm
<b>Mass</b>	0,609 kg
<b>Brand</b>	NTN

### PRODUCT PERFORMANCE

<b>C - Dynamic load</b>	92,5 kN
<b>C0 - Static load</b>	122 kN
<b>Cu - Fatigue limit load</b>	14,9 kN

# 4T-JLM508748/JLM508710

Single row tapered roller bearings

## PRODUCT PERFORMANCE

<b>A2 - Rating life coefficient</b>	1
<b>e - Coefficient</b>	0.4
<b>Y0 - Static axial load coefficient</b>	0.82
<b>Y2 - Upper axial load coefficient</b>	1.49
<b>Nlim - Oil lubrication limit speed</b>	4900 tr/min
<b>Nlim - Grease lubrication limit speed</b>	3700 tr/min
<b>Tmin - Min operating temperature</b>	-40 °C
<b>Tmax - Max operating temperature</b>	120 °C
<b>FTF - Characteristic cage frequency</b>	0.448 Hz
<b>BSF - Characteristic rolling element frequency</b>	9.117 Hz
<b>BPFO - Characteristic outer ring frequency</b>	10.295 Hz
<b>BPFI - Characteristic inner ring frequency</b>	12.705 Hz

## ABUTMENT

<b>da max - Max shoulder diameter IR</b>	66 mm
<b>db min - Min IR shoulder diameter</b>	75 mm
<b>Da max - Max shoulder diameter OR</b>	85 mm
<b>Db min - Min OR shoulder diameter</b>	91 mm
<b>ra max - Max fillet radius</b>	5 mm
<b>r1a - Max fillet radius</b>	2,5 mm

**INDUSTRY CALCUL FACTORS**

**Equivalent dynamic radial load**

$P = X.F_r + Y.F_a$

$F_a / F_r \leq e$		$F_a / F_r > e$	
X	Y	X	Y
1	0	0.4	Y2

**Equivalent static radial load**

$P_0 = X_0.F_r + Y_0.F_a$

$X_0$	$Y_0$
0.5	Y0

If  $P_0 < F_r$ , then use  $P_0 = F_r$

The values for e, Y2 and Y0 are shown in the above table